

150

(1) SMR CODE	(2) FEDERAL STOCK NUMBER	(3) DESCRIPTION	(4) UNIT OF MEAS.	(5) QTY INC IN UNIT	(6) 15-DAY ORGANIZATIONAL MAINTENANCE ALW				(7) ILLUSTRATION	
					(a) 1-5	(b) 6-20	(c) 21-50	(d) 51-100	(a) FIGURE NO.	(b) ITEM NO.
GROUP 1206—MECHANICAL BRAKE SYSTEM										
PO	2340-678-1431	BUMPER RUBBER: brake pedal, 8754527 (19207).	EA	1	*	*	*	*	12-6	31
PO	2530-678-1306	SPRING HELICAL EXTENSION: brake pedal retracting, 8754523 (19207).	EA	1	*	*	*	*	12-7	31
GROUP 1301—SUSPENSION ASSEMBLY FRONT SUSPENSION (fig. 13-1)										
PO	5306-832-6191	BOLT, MACHINE: upper arm to crossmember, 8754891 (19207)	EA	4	*	*	*	*	13-1	1
PO	5305-269-3242	SCREW, CAP, HEXAGON HEAD: alloy-s, cd-pltd, 3/8-24 UNF-2A x 2 in. lg, lower and upper socket retaining, MS90727-66 (96906)	EA	12	*	*	*	*	13-1	2
PO	5310-275-2088	NUT, SELF LOCKING: s, all-metal, 3/8-24 UNF-3B, lower and upper socket retaining, MS20365-624C (96906)	EA	12	*	*	*	*	13-1	3
PO	2530-176-3343	SOCKET ASSEMBLY: ball joint upper suspension arm, 11640670 (19207)	EA	2	*	*	*	*	13-1	4
PO	2510-678-3007	SPRING: (see group 1601), 8754263 (19207)	EA	2	*	*	*	*	13-1	5
PO	5310-753-4160	WASHER, HARDENED: steel, alloy, cd-pltd for 7/16 screw size, to attach arm and shaft assembly, front suspension lower lh and lower rh, 7046648 (19207)	EA	4	*	*	*	*	13-1	6
PO	5310-176-6612	NUT, SELF LOCKING—FLANGED: carb-s, cd-pltd, 1/2-20 UNF x 3/4 in. w. to attach arm and shaft assembly, front suspension lower lh and rh, MS51988-12 (96906)	EA	2	*	*	*	*	13-1	7
PO	5305-709-8340	SCREW, CAP, HEXAGON HEAD: med carb-s, cd-pltd, 7/16-20 UNF-2A x 4 in. lg, to attach arm and shaft assembly, front suspension lower lh and lower rh, MS90727-99 (96906)	EA	4	*	*	*	*	13-1	8
PO	2530-150-7852	SUPPORT: left (see group 1004) 8712391 (19207)	EA	1	*	*	*	*	13-1	9
PO	2530-156-9422	SUPPORT: right (see group 1004) 8712392 (19207)	EA	1	*	*	*	*	13-1	9
PO	5310-850-6884	NUT, SLOTTED—HEXAGON: 9/16-18 UNF-2B, to attach upper and lower socket assembly to support, front, MS35692-45 (96906)	EA	4	*	*	*	*	13-1	10
PO	5315-839-5822	PIN, COTTER: front suspension lower and upper ball joints MS24665-353 (96906)	EA	4	*	*	*	*	13-1	11
PO	2530-176-3344	SOCKET ASSEMBLY: ball joint lower suspension arm, 11640669 (19207)	EA	2	*	*	*	*	13-1	12
PO	2530-678-3118	ARM ASSEMBLY: lower left, 8754415 (19207)	EA	1	*	*	*	*	13-1	13
PO	2530-678-3070	ARM ASSEMBLY: lower right, 8754416 (19207)	EA	1	*	*	*	*	13-1	13
PO	5310-935-3607	NUT, SELF LOCKING—FLANGED: carb-s cd-pltd, 7/16-20 UNF x 1 1/16 in. w, to attach arm and shaft assembly, front suspension lower rh and lower lh, MS51988-10 (96906)	EA	4	*	*	*	*	13-1	14
PO	5305-719-5270	SCREW, CAP, HEXAGON HEAD: med carb-s, cd-pltd, 1/2-20 UNF-2A x 4 in. lg, to attach arm and shaft assembly, front suspension lower lh and lower rh, MS90727-123 (96906)	EA	2	*	*	*	*	13-1	15

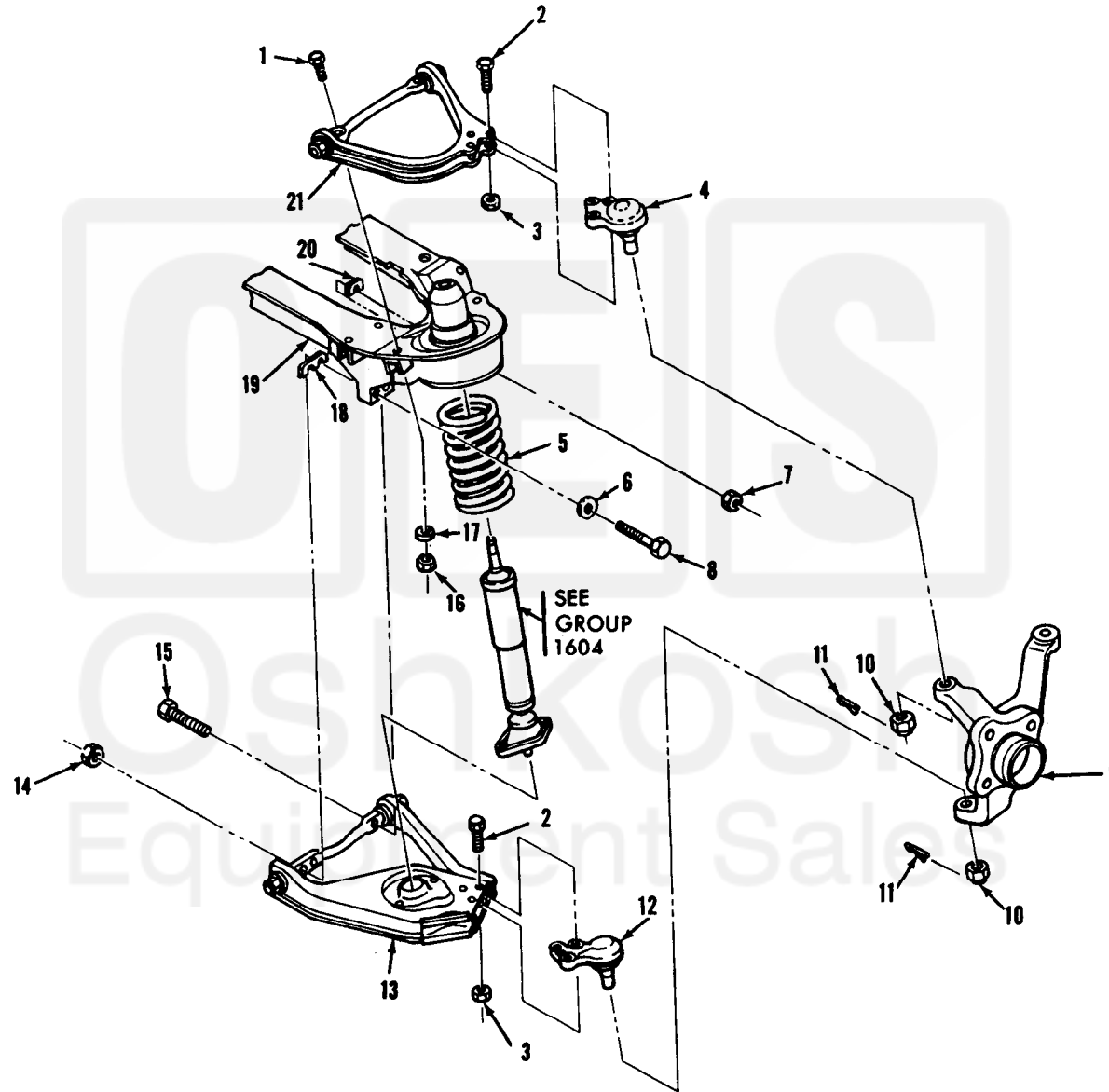
Current part is item (12) on diagram. Available at www.oshkoshequipment.com

(1) SMR CODE	(2) FEDERAL STOCK NUMBER	(3) DESCRIPTION REFERENCE NUMBER & MFG. CODE USABLE ON CODE		(4) UNIT OF MEAS.	(5) QTY INC IN UNIT	(6) 15-DAY ORGANIZATIONAL MAINTENANCE ALW				(7) ILLUSTRATION	
						(a) 1-5	(b) 6-20	(c) 21-50	(d) 51-100	(a) FIGURE NO.	(b) ITEM NO.
		GROUP 1301—SUSPENSION ASSEMBLY—CONTINUED FRONT SUSPENSION (fig. 13-1)—Continued									
PO	5310-943-2141	NUT, PLAIN, HEXAGON: carb-s, cd-pltd, 1/2-20 UNF-2B, upper arm to crossmember, MS51968-15 (96906)		EA	4	*	*	*	*	13-1	16
PO	5310-584-5272	WASHER, LOCK: med, s, cd or zn-pltd, 1/2 nom size, upper arm to crossmember, MS35338-48 (96906)		EA	4	*	*	*	*	13-1	17
PO	5340-400-7243	SPACER: 10950856-1 (19207)		EA	V	*	*	*	*	13-1	18
PO	5365-410-9797	SPACER: 10950856-2 (19207)		EA	V	*	*	*	*	13-1	18
PO	5365-436-4807	SPACER: 10950856-3 (19207)		EA	V	*	*	*	*	13-1	18
PO	2510-119-0846	CROSSMEMBER: 8754456 (19207)		EA	1	*	*	*	*	13-1	19
PO	2510-678-3095	SHIM: 8754402 (19207)		EA	V	*	*	*	*	13-1	20
PO	2510-678-3094	SHIM: 8754403 (19207)		EA	V	*	*	*	*	13-1	20
PO	5365-168-7277	SHIM: 8754404 (19207)		EA	V	*	*	*	*	13-1	20
PO	2530-678-3122	ARM ASSEMBLY: front suspension, upper left, 8754159 (19207)		EA	1	*	*	*	*	13-1	21
PO	2530-678-3110	ARM ASSEMBLY: front suspension, upper right hand, 8754160 (19207)		EA	1	*	*	*	*	13-1	21

Current part is item (12) on diagram. Available at www.oshkoshequipment.com

Current part is item (12) on diagram. Available at www.oshkoshequipment.com

152



AT24306

Figure 13-1. Front suspension.

Current part is item (12) on diagram. Available at www.oshkoshequipment.com